

# NASSAU

## ArteLED

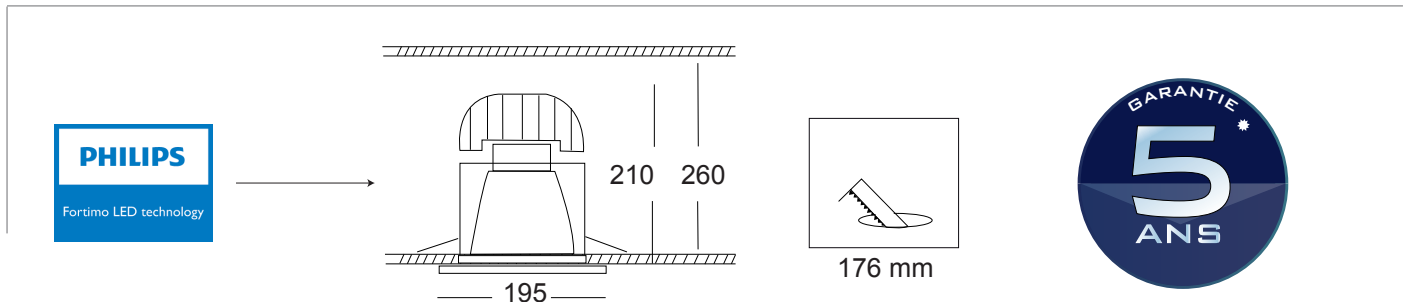
Gamme LED's LIGHT



### Description / Description

- Luminaire à source LED Fortimo
- Confort basse luminance
- Réflecteur aluminium 99,9%
- Equipé d'un verre de protection
- Durée de vie moyenne : 50 000 H
- Refroidissement passif
- LED inside
- Low luminance comfort
- Aluminium reflector 99,9%
- Equipped with a safety glass
- Average lifetime 50 000 H
- Passive cooling system

### Dessins techniques / Technical drawings

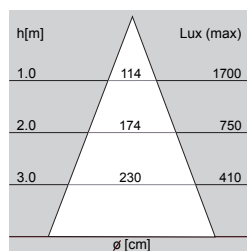


### Dessins techniques / Technical drawings

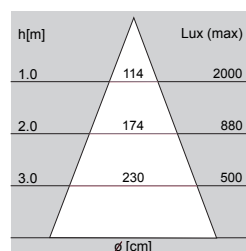
|        |             |          |        |       |       |      |        |    |          |
|--------|-------------|----------|--------|-------|-------|------|--------|----|----------|
| NASSAU | 1100 lumens | LED 15 W | 3000 K | IP 44 | 230 V | 850° | 2.4 Kg | CE | Classe I |
| NASSAU | 1100 lumens | LED 14 W | 3500 K | IP 44 | 230 V | 850° | 2.4 Kg | CE | Classe I |
| NASSAU | 1100 lumens | LED 13 W | 4000 K | IP 44 | 230 V | 850° | 2.4 Kg | CE | Classe I |
| NASSAU | 2000 lumens | LED 29 W | 3000 K | IP 44 | 230 V | 850° | 2.4 Kg | CE | Classe I |
| NASSAU | 2000 lumens | LED 27 W | 3500 K | IP 44 | 230 V | 850° | 2.4 Kg | CE | Classe I |
| NASSAU | 2000 lumens | LED 26 W | 4000 K | IP 44 | 230 V | 850° | 2.4 Kg | CE | Classe I |
| NASSAU | 3000 lumens | LED 50 W | 3000 K | IP 44 | 230 V | 850° | 2.4 Kg | CE | Classe I |
| NASSAU | 3000 lumens | LED 49 W | 3500 K | IP 44 | 230 V | 850° | 2.4 Kg | CE | Classe I |
| NASSAU | 3000 lumens | LED 46 W | 4000 K | IP 44 | 230 V | 850° | 2.4 Kg | CE | Classe I |



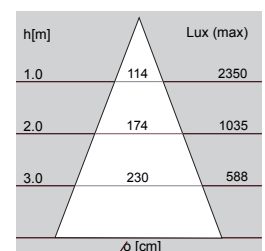
Option gradable (DALI)  
LED RVB (DMX)



1100 Lumens 4000K 60°



2000 Lumens 4000K 60°



3000 Lumens 4000K 60°